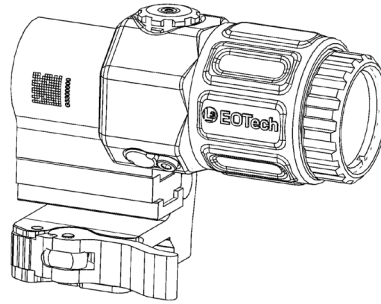




For use with G33 Magnifiers
or HHS Systems

USER'S MANUAL FOR G33™

Rev E



INTRODUCTION

Thank you for purchasing L-3 EOTech's new Generation III 3X magnifier. These magnifiers offer users of the Holographic Weapon Sight (all models) the additional advantage of vastly improved target recognition and increased lethality at medium range distances. The new Switch to Side (STS) mount allows the user the ability to engage the enemy with confidence in a Close Quarters Battle (CQB) situation or at distances out to 600 meters or more. This user manual describes the features of the L-3 EOTech Magnifiers and provides information on their use and maintenance. Please read the instructions carefully before mounting and using the magnifiers. Always practice proper firearm safety.

Included:

- 3x Magnifier • Switch to Side (STS) Mount • 7mm Riser • 4 Screws

The G33 is controlled under the Export Administration Regulations (EAR) ECCN 0A987, and may not be exported to a foreign person, either in the U.S. or abroad, without a license or exception from the U.S. Department of Commerce

SPECIFICATIONS:

3x Magnifier	Switch to Side (STS) Mount
Magnification Fixed: 3X	Length: 1.66" (42.2mm)
Eye Relief: 2.2" (55.8mm)	Height: 1.18" (30mm) Clears common low profile flip up rear iron sights
Field of View: 7.3 degrees	Weight: 2.9 oz (81g)
Length: 3.9" (99mm)	Color/Finish: Non reflective black with hard coat finish.
Weight: 6.1oz (174g)	Switch Orientation: Ambidextrous mount Flip Orientation to allow left or right flip
Water-Resistant: 33 ft. (10m)	Rail Interface: 1" Weaver or MIL-STD-1913 with Quick Detach lock
Sealing: Fog-resistant internal optics	Magnifier Interface: User configurable height with quick detach mount
Finish: Non reflective / Rubber coated	
Optical Axis Adjustment: Internal adjustment	
Retrofits to all HWS models with 7mm riser	

BASIC OPERATION

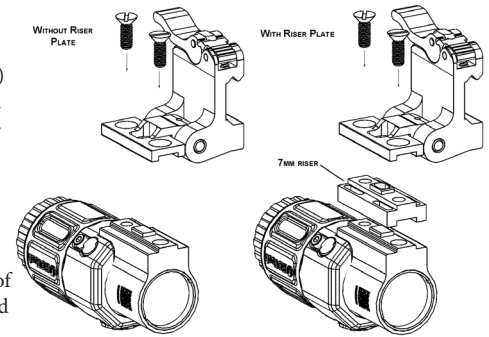
The G33 magnifier is designed to be used behind an L-3 EOTech Holographic Weapon Sight (HWS). The magnifier can be mounted directly behind the HWS. Simply switch the magnifier out of the way and operate the sight. When used with HWS models 518, 558, 556, 517, EXPS or 516 HWS (with side button interface) the user can easily operate the sight even with the magnifier in the locked position.

Positioning the Reticle:

Once the magnifier is installed properly behind the HWS, it may be necessary to re-zero the sight. This may be due to the shooter's ability to see the target and Point of Impact (POI) more accurately than without the magnifier. Re-zeroing the sight will prevent a perceived shift in POI when going from no magnification to magnification.

OPTIC CONFIGURATION

The L-3 EOTech Holographic Weapon Sight (HWS) product line has two different heights above the rail based on user preference. For this reason, the magnifier does not come preassembled to the mount. It is user configurable based on the specific model HWS it will be mounted behind. The 7mm riser, included, may be required to align the magnifier optical axis with the sight. Only HWS models with side buttons or quick detach levers require the use of the riser. For all other HWS models, the riser should not be used.

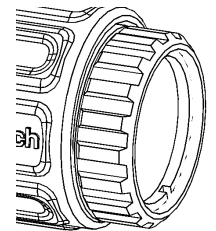


The magnifier system can be configured to switch to the left or to the right based on shooting preference. Typically, right handed shooters prefer the mount to switch to the left, and left handed shooters to the right.

To configure your HWS you will need a screwdriver (not included). If the spacer is not used, the shorter screws should be selected. The longer screws are used with the spacer only. If the spacer is being used, place the spacer on the optic mounting interface. Open the STS mount. Position the mount on the optic mount interface (or riser) so it opens either to the left or right (based on preference). Insert each screw through the components, and tighten securely.

ADJUSTABLE DIOPTER

The G33 optic includes an adjustable diopter that allows the user to customize the focus to their particular vision. This feature ensures a crisp, clean aiming dot for more precision and shot placement. To adjust, simply grasp the diopter with the thumb and fore finger and turn either clockwise or counter-clockwise until a clear sight picture is achieved.

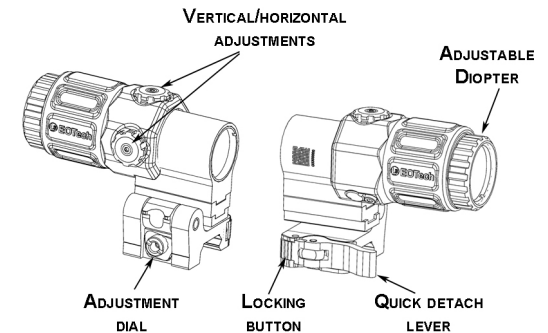


ADJUSTABLE DIOPTER

After zeroing or re-zeroing the sight, it may be necessary to reposition the reticle image into the center of the magnifier window. This is aesthetic in nature and has no affect on the sight's zero. Turn the horizontal and vertical adjustments on the top or side of the magnifier by hand, with a coin or a flat head screwdriver to reposition reticle to the desired position.

Switch operation:

To switch the magnifier to the side, simply push the optic to the right or left, depending on how it is mounted. To close the mount, push the magnifier back into its original position until a hard stop is achieved.



ADJUSTMENT DIAL LOCKING BUTTON QUICK DETACH LEVER

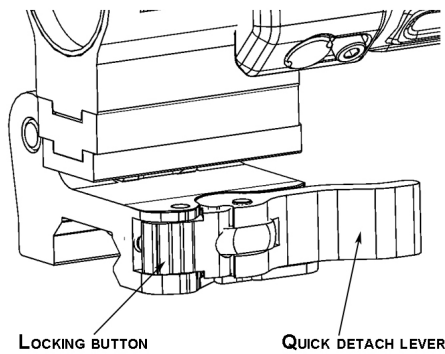


Figure 4

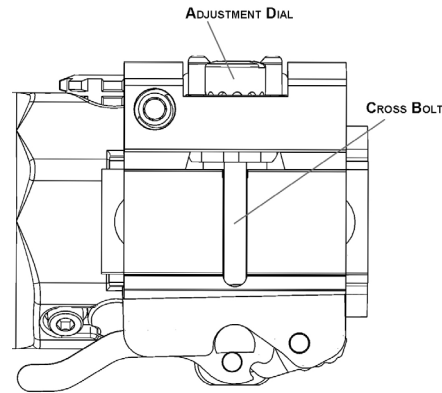


Figure 5

INSTALLATION

To install the configured magnifier onto the weapon, open the quick detach lever. To do this, use your thumb to depress the locking button (see Figure 4). Once depressed, swing the quick detach lever open and away from its nested position. Place the mount in the desired position behind the HWS*. Once the mount is located in the desired position, push the magnifier forward until the cross bolt of the magnifier is set into the slot located on the mount. Close the quick detach lever.

If the mount is too loose or tight for your specific rail, adjustments can be made for a proper fit (see Figure 5). First, remove the magnifier from the rail. Leaving the quick detach lever in its open position, turn the unit upside down, exposing the rail interface. To loosen the adjustment, turn the dial counterclockwise. To tighten, turn the dial clockwise. Once done, re-mount the optic to the rail. Continue incremental changes until a desired fit is achieved. **CAUTION: Never make adjustments while the quick detach lever is in the closed position.**

MAINTENANCE

Maintenance of the magnifier is limited to cleaning of the outside housing of the optic and cleaning the lenses. The optical system is coated with anti-reflection material. When cleaning the glass surfaces, first blow away any dirt and dust. Fingerprints and lubricants can be wiped off with lens tissue or a soft cotton cloth which is moistened with lens cleaning fluid or glass cleaner, sold in any camera store. Never clean the glass surface with a dry cloth or paper towel; always dampen the glass surfaces prior to cleaning.

No maintenance is needed on the magnifier's surface, except to occasionally wipe off with a soft cloth. Use only a water-based cleaner such as glass cleaner, ammonia, or soap and water. Never use any solvent-type cleaner such as alcohol or acetone.

WARNING: NEVER DISASSEMBLE YOUR MAGNIFIER! The optical cavity is purged, nitrogen filled, and sealed to achieve fog proof performance. Disassembly will void the warranty and damage the sight.

If the switch action of the switch to Side mount begins to stick from wear, use a common spray lubricant on the hinge portion of the mount. No other maintenance is needed on the Switch to Side Mount other than cleaning the surface. Please follow the same guidelines when cleaning the magnifiers.

WARRANTY

L-3* EOtech* warrants every product to be free from defects in materials and workmanship for a period of two years from the original date of purchase. L-3* EOtech* will promptly repair or replace, at its option, any product that is defective in material or workmanship, without charge.

All costs associated with the product shipment for product repair will be incurred by the owner. This warranty does not cover defects caused by improper handling, unauthorized disassembly, installation, or maintenance; abnormal use; or unapproved alterations. L-3* EOtech* shall not, in any event, be liable for any damages, including any lost profits, lost savings, or other incidental or consequential damages arising out of the use or inability to use such products. See L-3* EOtech*'s Standard Terms and Conditions for complete details.

Contacting the manufacturer for repair:

1. Visit the manufacturer's website at <https://www.L-3com.com/eotech>. Click on the Customer Service Tab in the menu bar and follow the instructions.
2. Call or email L-3* EOtech*'s Customer Service Department at the following:
(734) 741-8868 x2176
general@L-3com.com
3. Be sure to leave a name, contact number, return shipping address, and failure description in the email or on a voice mail. This will allow the manufacturer to generate a Return Authorization Number (RA#) to include with the sight(s). **DO NOT SHIP THE SIGHTS WITHOUT A RETURN AUTHORIZATION NUMBER** (this will severely delay the turn around time on repair or replacement).
4. If you require, fill out a DD Form 1149 to include with the sight(s) you will return. Include a reference to the RA#, and a signature line for L-3* EOtech*'s Service Department to sign indicating the receipt of materials. The signed copy will be mailed, faxed, or emailed back to you upon receipt of the sight(s) for the purposes of accountability.
5. If the manufacturing date located on the bottom of the sight is more than two years old, a fee will be assessed for repair to include the cost of both parts and labor. A purchase order will be required to process the repair. Please contact L-3* EOtech* for an estimate.

Please send the unit postage prepaid, to address listed in Appendix B. Please include your name, address, telephone number, and a written description of the problem you are encountering, and also include the RA #. Whenever possible, ship the sight in its original box.

FACTORY CONTACTS

Product Registration.....www.eotechinc.com/product-registration
 Customer Service/Repair.....888-EOTHOLO
 (734) 741-8868 x2176
 Link to website to submit RA Request:.....<http://www.EOTech-inc.com/raform.php>
 Technical Sales/Service.....888-EOTHOLO
 Shipping Address: L-3* EOtech* Inc.
 1201 E. Ellsworth Rd.
 Ann Arbor, MI 48108
 USA
 EMAIL.....general@L-3com.com
 Visit us on the web.....www.L-3com.com/eotech